

## HORIZONTAL TRAVEL POOL DIVIDER VARIABLE BUOYANCY

### Sizes: (Typical)

Widths: 4 - 7 ft. (1M - 2M)

Lengths: 60 - 82 ft. (25M)

Height: To suit

### Features:

- Variable Buoyancy
- Flow-thru design
- T-304L Stainless Steel structure
- Permanently non-skid PVC covering
- Self-aligning support pads
- Regulation targets

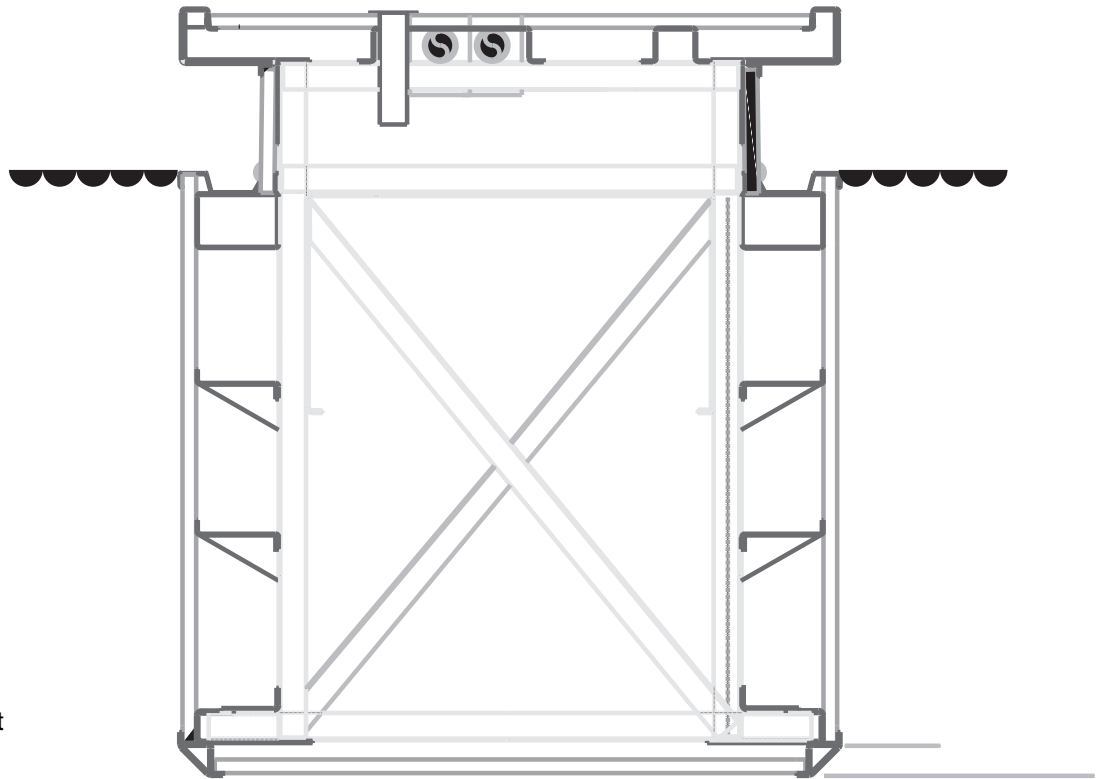
### Options:

- Waterline handgrip
- Timing system blockouts and harness trays
- Stainless steel equipment anchors
- Wheeled travel
- Toe Ledge
- Custom sizes

This premier model is designed and engineered for High Competition, Training and Multi-Purpose programs.

Stabilized for quick, sure starts, the WDHV model is manufactured in accordance with NCAA, US Swimming, or FINA recommendations

Equipped with the popular variable buoyancy system, relocation time is greatly reduced.

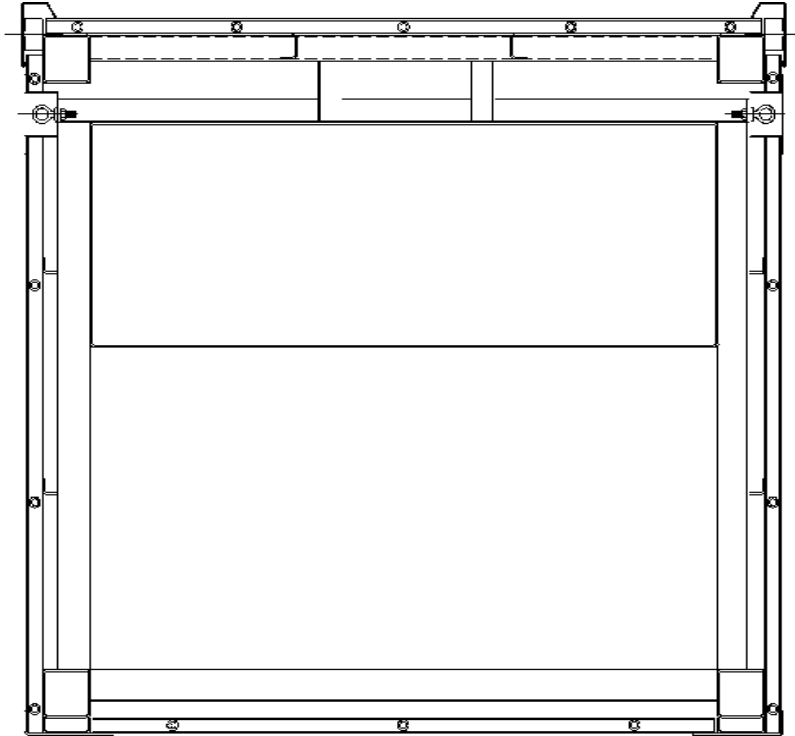


# HORIZONTAL TRAVEL

## FIXED BUOYANCY

A general purpose Pool Divider serving General Competition and Training, Recreational Therapy or Multi-Purpose programs.

The conventional preset buoyancy system is designed, for mid-size Pool Dividers.



# HORIZONTAL

Movable Pool Dividers

### Sizes: (Typical)

*Widths:* 3 feet, and less

*Lengths:* 35 - 60 ft.

*Widths:* 4 ft

*Lengths:* 45 - 60 ft.

*Height:* To suit

### Features:

- Fixed, Preset Buoyancy System
- Waterline Handgrip
- Flow-thru design
- T-304L Stainless Steel Structure
- Permanently non-skid PVC covering
- Wheeled Travel
- Competition Targets

### Options:

- Stainless Steel Equipment Anchors
- Timing System Blockouts
- Timing System Harness Trays
- Toe Ledge
- Custom Sizes