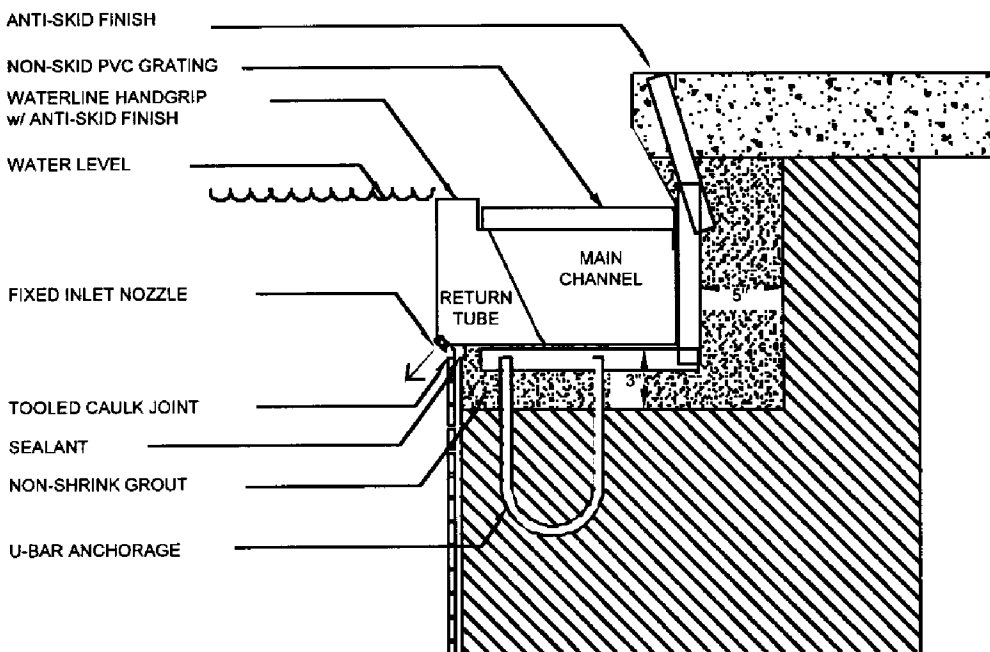


SERIES RS

WITH STAINLESS STEEL GUTTER FACE



The RS Series is designed for smaller, general use pools with unique field conditions and those that operate in the lower flowrate range. The frame, drain channel, and field installed supply tube are fabricated entirely of 12 ga. T-304L stainless steel (max. 03 low carbon) 2B finish. In response to its marketplace competitors, the RS Series is offered as an open (uncovered drain channel) prefabricated gutter system. It is optionally available with grating over the drain channel that is carrying the unclean surface water back to the filters for disinfecting and processing. The RS Series will perform with the pool water level at the gutter overflow rim according to NCAA Rules and an external surge or balance tank. When equipped with surge weirs, operating with a lowered pool water level, can provide in-pool surge storage. See model RS-SR below for detailed description.



Features

- All 12ga. T-304L Stainless Steel, 2B Finish (See WCB301)
- Installed rim tolerance $\pm 1/16"$
- Continuous Waterline Handgrip

Options

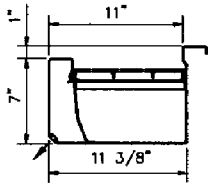
- Depth Marker Locations
- Drain Channel Grating
- Racing Lane Line Clips
- Surge Weirs
- Automatic Water Makeup



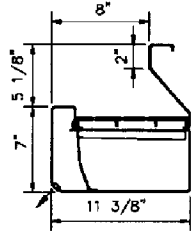
Aquatic Development Group
One Aquatic Center
P.O. Box 648
Cohoes, NY 12047
518.783.0038

Whitten Stainless Steel *RS-Recirculation System*

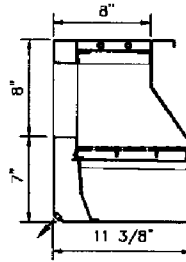
SELECTION DETAILS



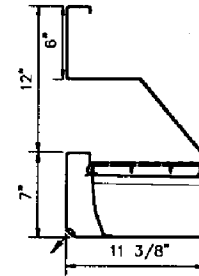
RS-DL
Deck Level Gutter



RS-SR
Semi-Recessed Gutter



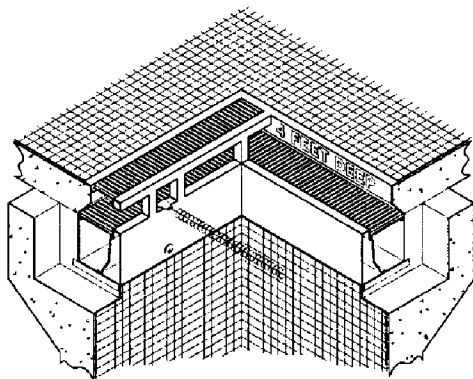
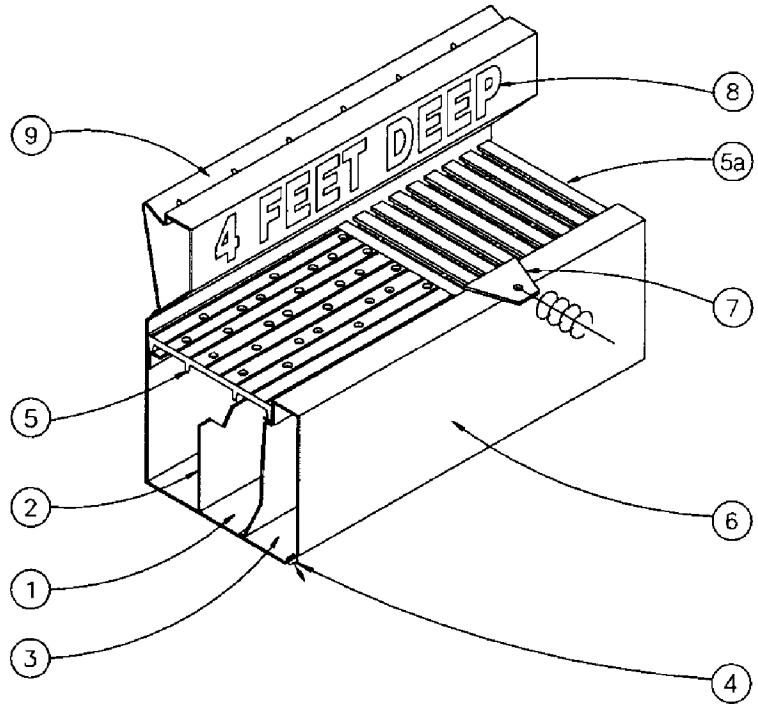
RS-CE
Competition-End Gutter



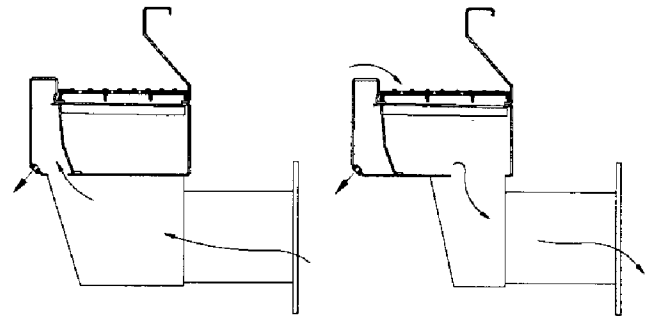
RS-FR
Fully-Recessed Gutter

Whitten Recirculation Components

1. Primary Flow Channel
2. Point Surge Secondary Flow Channel
3. Filtered Water Return Channel
4. Filtered Water Inlet Nozzle
5. Non-Skid PVC Uni-grate
- 5a. Non-Skid PVC I-Beam Grate
6. Stainless Steel Face
7. Lane Line Clip at Water Level
8. Pool Depth Markings
9. Intergral Deck Drain



RS Corner Detail of Semi-Recessed to Competition-End



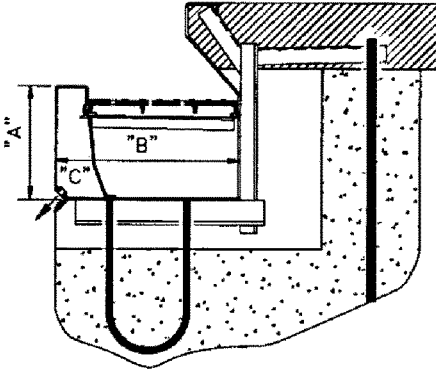
RS Return Converter

RS Overflow Converter

Aquatic Development Group
One Aquatic Center
P.O. Box 648
Cohoes, NY 12047

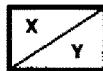
WHITTEN

Whitten Stainless Steel RS-Recirculation System SIZING CHART



Whitten Preferred Sizing

Pool Size:	30 x 60	45 x 75	45 x 82	60 x 75	60 x 82	60 x 120	60 x 164	75 x 164	
Pool Perimeter:	180	240	254	270	284	360	448	478	
Pool Area:	1800	3375	3690	4500	4920	7200	9840	12300	
GUTTER DIMENSIONS			FLOW RATE (GPM)						
A	B	C	X Y	X Y	X Y	X Y	X Y	X Y	
5"	1 13/8"	2" x 4"	290 600	270 605	270 605	270 600	265 595	250 580	240 555
6"	1 13/8"	2" x 5"	405 865	390 835	385 835	385 835	380 820	370 815	350 780
7"	1 13/8"	2" x 6"	545 1140	515 1105	510 1100	510 1100	505 1090	480 1080	465 1040

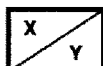


X=Gutter Flow with 1 Converter
Y=Gutter Flow with 2 Converters

For Comparison
of calculations
(see **Technical
Bulletin #110** in
the ADG Equipment
Systems Catalogue)

Industry Minimum Sizing

Pool Size:	30 x 60	45 x 75	45 x 82	60 x 75	60 x 82	60 x 120	60 x 164	75 x 164	
Pool Perimeter:	180	240	254	270	284	360	448	478	
Pool Area:	1800	3375	3690	4500	4920	7200	9840	12300	
GUTTER DIMENSIONS			FLOW RATE (GPM)						
A	B	C	X Y	X Y	X Y	X Y	X Y	X Y	
5"	1 13/8"	2" x 4"	345 690	300 600	290 580	280 560	275 550	245 490	220 440
6"	1 13/8"	2" x 5"	550 1100	475 950	460 920	450 900	435 870	390 780	350 700
7"	1 13/8"	2" x 6"	785 1570	680 1360	665 1330	645 1290	625 1250	555 1110	500 1000



X=Gutter Flow with 1 Converter
Y=Gutter Flow with 2 Converters

WHITTEN

Aquatic Development Group
One Aquatic Center
P.O. Box 648
Cohoes, NY 12047
518.783.0038